

CATEGORY	DESCRIPTION	P/N #
CONNECTOR	USB 2.0 A TYPE R/A 2011.10	UB1041-41FXX-XX01

Part NO.:  
UB1041-41FXX-XX01

REV.	ECN NO	DESCRIPTION	REVISED	DATE
R01		New Release	JackLiu	2011.03.05

Table 1

X	Contact Plating
1	Au 1u" Plating on contact area, Tin Plating on solder tails
2	Au 3u" Plating on contact area, Tin Plating on solder tails
3	Au 15u" Plating on contact area, Tin Plating on solder tails
4	Au 30u" Plating on contact area, Tin Plating on solder tails

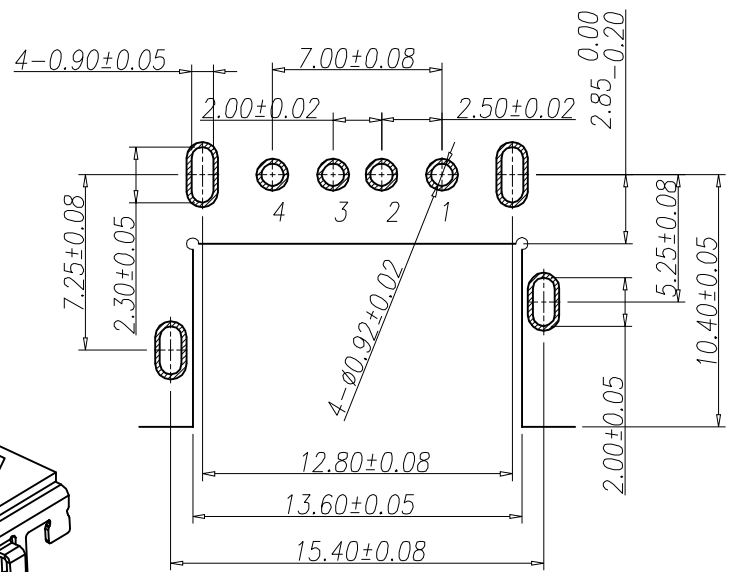
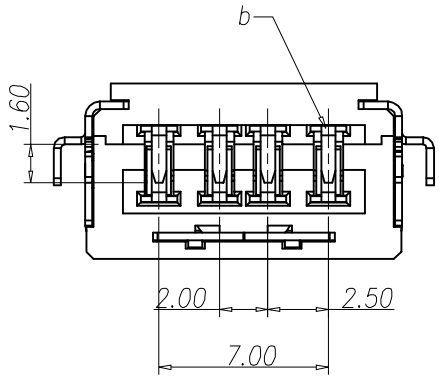
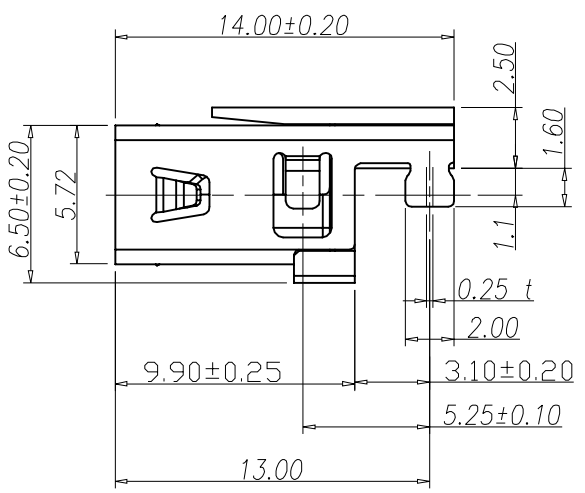
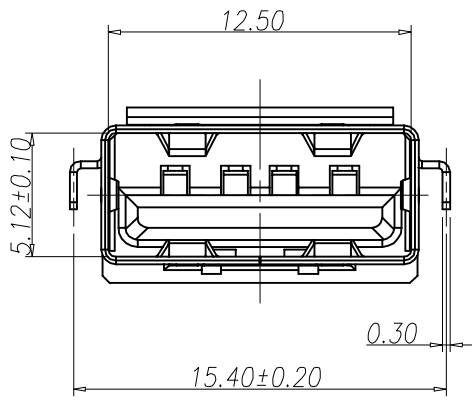
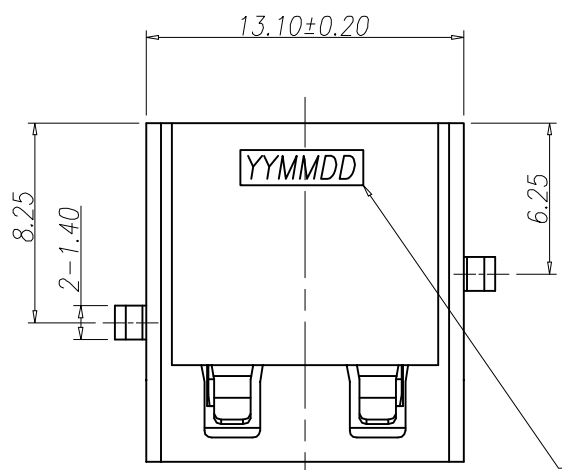
Color Scheme

XX	Housing
00	Black
05	Yellow 107C

X	Date Code
0	Without
1	With

Date Code  
YY:YEAR(11~)  
MM:MONTH(01~12)  
DD:DAY(01~31)



RECOMMEND PCB LAYOUT  
PCB THICKNESS:1.00mm.  
PCB LAUOUT TOLERANCE:±0.05mm.

- Specifications:
1. Rated Current: 1.5A
  2. Contact resistance: 30mΩ MAX.
  3. Insulation resistance: 1000MΩ MIN.
  4. Dielectric withstand: 500V AC for 1 minute
  5. Operating temperature: -55° C~+85° C
  6. Insert force: 35N MAX.
  7. Withdraw force: 10N MIN.
  8. To Conform to the "QC-03-045" & "RoHS Directive" & "Halogen-free"

Color Scheme

XX	Housing
00	Black
05	Yellow 107C

Product Drawing  
ALEXTRONIC

d	Ink	1	Domino IR-226BK & MC-226BK,		
c	Shell	1	Copper Alloy	Ni Plating	
b	Terminal	4	Copper Alloy	See Table 1	
a	Housing	1	PA10T UL94V-0 Halogen-free	See Color Scheme	
NO.	PART NAME	Q'TY	MATERIAL	PLATING & COLOR	Remark

UNLESS OTHERWISE SPECIFIED TOLERANCES		SCALE:1/1	UNIT: mm	DWG.NO:	
		SIZE: A4	PAGE: 10F1	REV:R01	WI-061-1019
DECIMALS: X :±0.5 X.X :±0.3 X.XX :±0.2		ANGLES: X :±2° X.X :±1°		APPROVED BY	CHECKED BY
				PREPARED BY JackLiu	
<b>CUSTOMER COPY</b>					